

Technical data sheet



Product features

Food display island heated, dry tub GN 3-1/1 Wenge

Model	SAP Code	00012156
--------------	-----------------	----------



- Buffet type: ORANGE - heated, dry
- Device properties: Warmed
- Number of GN / EN: 3
- GN / EN size in device: GN 1/1
- GN device depth: 200
- Minimum device temperature [°C]: 90
- Maximum device temperature [°C]: 125

SAP Code	00012156	Loading	230 V / 1N - 50 Hz
Net Width [mm]	1169	Number of GN / EN	3
Net Depth [mm]	650	GN / EN size in device	GN 1/1
Net Height [mm]	1288	GN device depth	200
Net Weight [kg]	81.00	Minimum device temperature [°C]	90
Power electric [kW]	1.500	Maximum device temperature [°C]	125

Technical data sheet



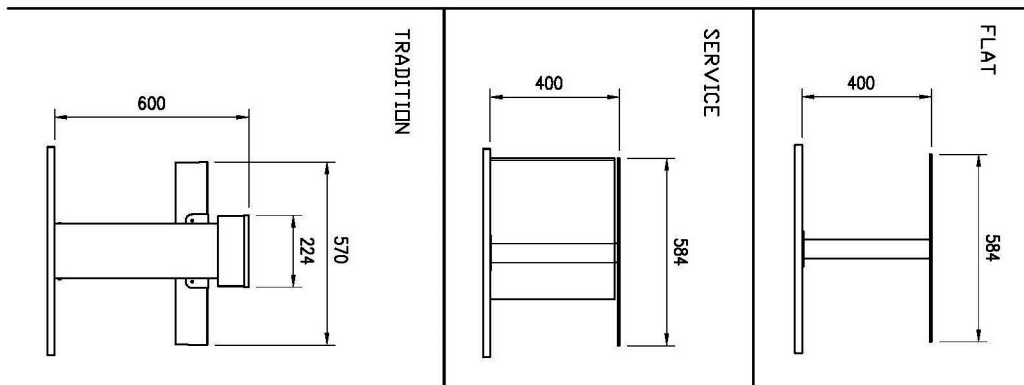
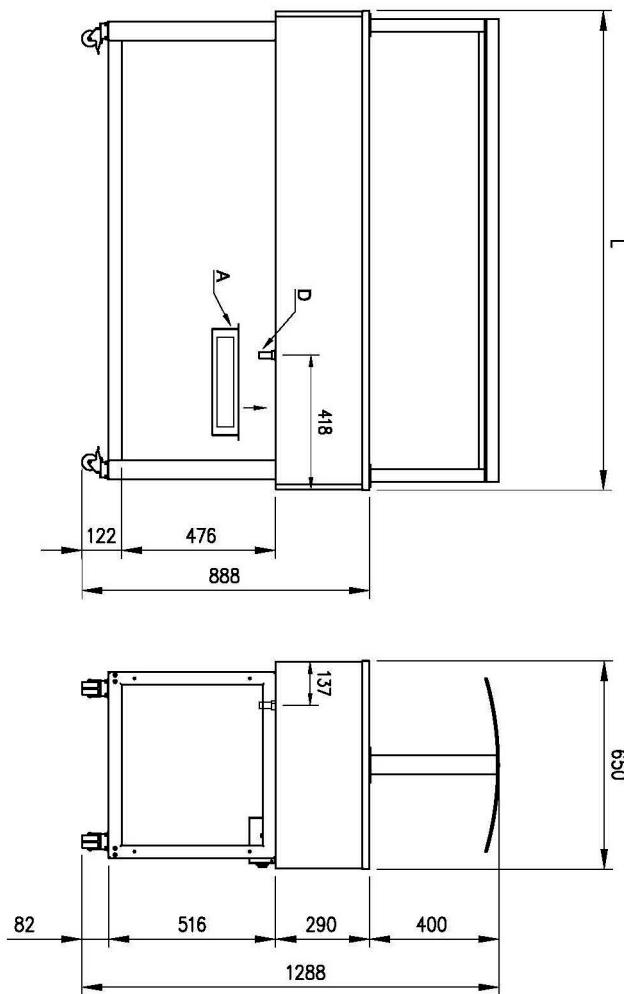
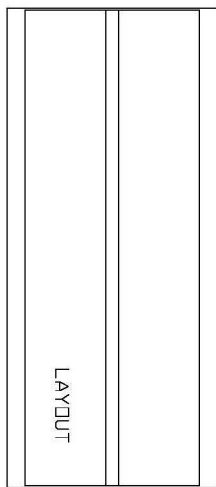
Technical drawing

Food display island heated, dry tub GN 3-1/1 Wenge

Model	SAP Code	00012156
--------------	-----------------	----------

A= ELECTRICAL CONNECTION
D= WATER DISCHARGE ø14

GN	L
3/1	1159
4/1	1494
6/1	2144



Food display island heated, dry tub GN 3-1/1 Wenge

Model

SAP Code

00012156

1

One large bathtub

one controller for the whole tub

- very easy to use
- easy maintenance

2

GN insertion up to 200mm

variability of use

- possibility of heating different types of food and larger volumes
- saving time, space, costs

3

Rounded corners

basins without sharp edges and corners

- higher hygienic safety
- time saving due to easy cleaning

4

All-stainless steel construction

harmless to health for contact with food
robustness

- long service life
- very easy to clean

5

Halogen lighting

heating from above

- more even heating of food
- greater hygienic safety

6

Travel wheels

portable buffet table

- greater flexibility in dispensing
- possibility of use at banquets
- easier and safer handling

7

Breath galley

galerka made of hygienic Plexiglas with motorized displacement

- hygienic food protection
- heating and lighting of food from above

Technical data sheet



Technical parameters

Food display island heated, dry tub GN 3-1/1 Wenge

Model	SAP Code	00012156
--------------	-----------------	----------

1. SAP Code:

00012156

2. Net Width [mm]:

1169

3. Net Depth [mm]:

650

4. Net Height [mm]:

1288

5. Net Weight [kg]:

81.00

6. Gross Width [mm]:

1230

7. Gross depth [mm]:

750

8. Gross Height [mm]:

1100

9. Gross Weight [kg]:

95.90

10. Device type:

Electric unit

11. Buffet type:

ORANGE - heated, dry

12. Device properties:

Warmed

13. Exterior color of the device:

Hemlock

14. Power electric [kW]:

1.500

15. Loading:

230 V / 1N - 50 Hz

16. Number of GN / EN:

3

17. GN / EN size in device:

GN 1/1

18. GN device depth:

200

19. Minimum device temperature [°C]:

90

20. Maximum device temperature [°C]:

125